

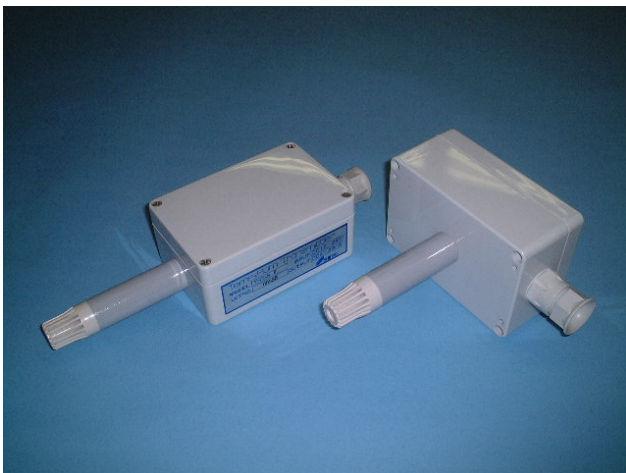


## Temperature and Humidity Transmitter

Temperature and Humidity recording and controlling at remote locations

### Model THT-S Series

THT-S Series transmitter has solid, dust and moisture proof bodies for trouble-free use in factories and plants. Temperature and Humidity output signals are independent, loop powered 4 to 20mA for each measurement. So, these units can be easily connected to indicators, recorders and regulators. High precision enables highly stable indication, recording and controlling of temperature and humidity. Two types, duct and wall mount type, are available.



#### Feature

- Wall and duct mount type available.
- Interchangeable humidity sensor for replacement.
- Applicable for a wide range of industrial applications.
- Compact, light and rugged design for various industrial applications.
- Durable and reliable humidity sensor for long term use.
- Linear 4 to 20mA output signal.

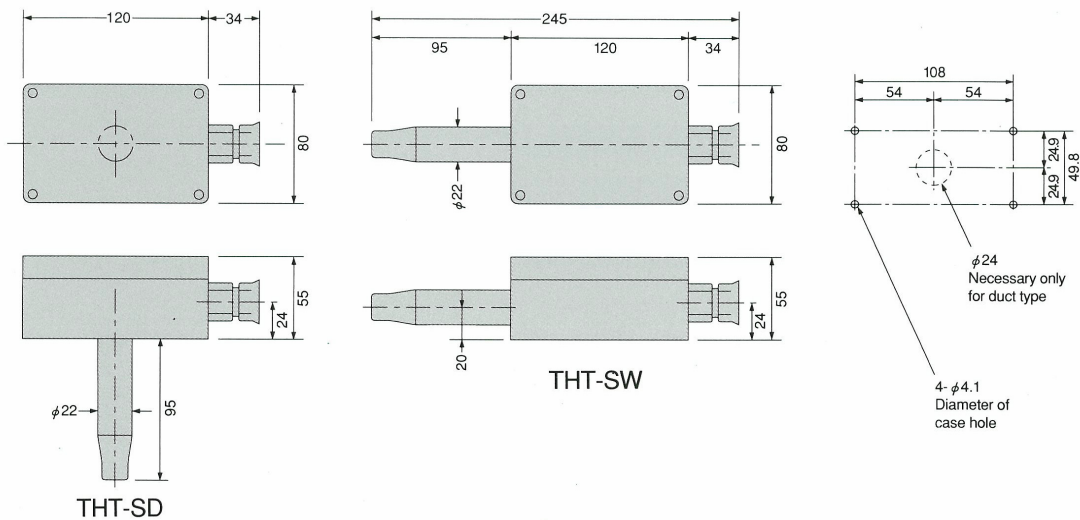
The model THT-S series is light, compact, rugged and ideally suited to a wide variety of applications recording, controlling or indicating of temperature and humidity are available by using the model THT-S.

Specification sheet ref. CA02-018 series (page 2 of 2)

**Characteristics**

Model	THT-SW	THT-SD
Mounting System	Wall Mounting	Duct Mounting
Humidity Sensor	Shinyei Humidity Sensor HPR-MQ	
Temperature Sensor	PT 100 Ohm	
Operating Temperature Range	-20 to 60deg. C (Sensor) 0 to 60deg. C (Electronics)	
Operating Humidity Range	95%rh or less	
Humidity Measurement Accuracy	+/-3%rh (at 25deg. C, 30 - 90%rh)	
Temperature Measurement Accuracy	+/-0.5deg. C	
Temperature & Humidity Output	4 to 20mA for 0 to 100%rh, 0 to 50deg. C	
Power supply	12 to 24 VDC	
Weight	About 300gs.	
Housing Material	Body : Polycarbonate Probe : ABS	

**Configuration**



Remark; We have the right to revise specifications and product configurations without notice.

**Caution for use**



- ! Avoid condensation and drenching.
- ! Avoid application of the Humidity Sensor in the salt, inorganic gases and organic gases.



Contact : **Shinyei Corporation of America**  
 11 East, 44<sup>th</sup> Street, Suite 700, New York, NY 10017  
 TEL (212) 682-4610 FAX (212) 286-8426  
 E-Mail : [ytokuya@shinyei-usa.com](mailto:ytokuya@shinyei-usa.com)